

INSTALLATION OF WHEEL TUBE ASSEMBLY

1. Turn the unit upside down and remove the drive tracks (part #3200).
2. Gently push side plate (part #3400) outward at wheel tube assembly and remove the wheel tube and the side plate bushing (part #2600), which is located between the wheel tube and side plate.
3. Install the new wheel tube with the side plate bushing mounted on the outside of the side plate. (SEE FIGURE 1) The bushing is replaced in the opposite direction from which it was removed, so it is no longer between the wheel tube and side plate. Make sure that you replace the drive belts as they were before.
4. Push retainer ring (part #11058) downward into the groove of the wheel tube pin until is securely in place. (SEE FIGURE 2)

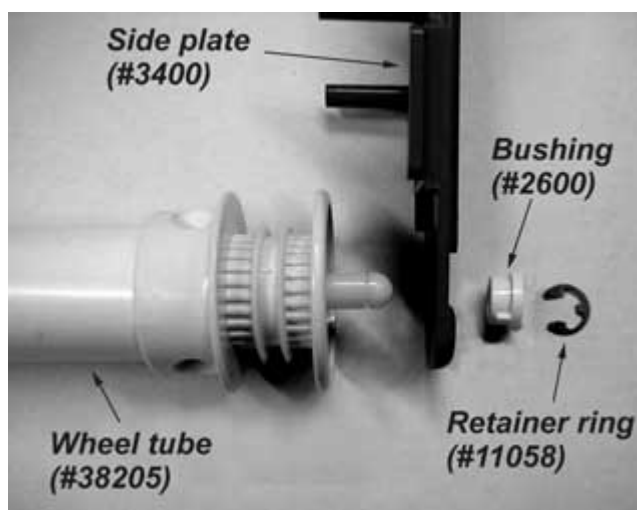


Figure 1



Figure 2